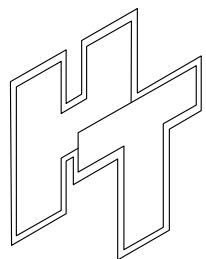
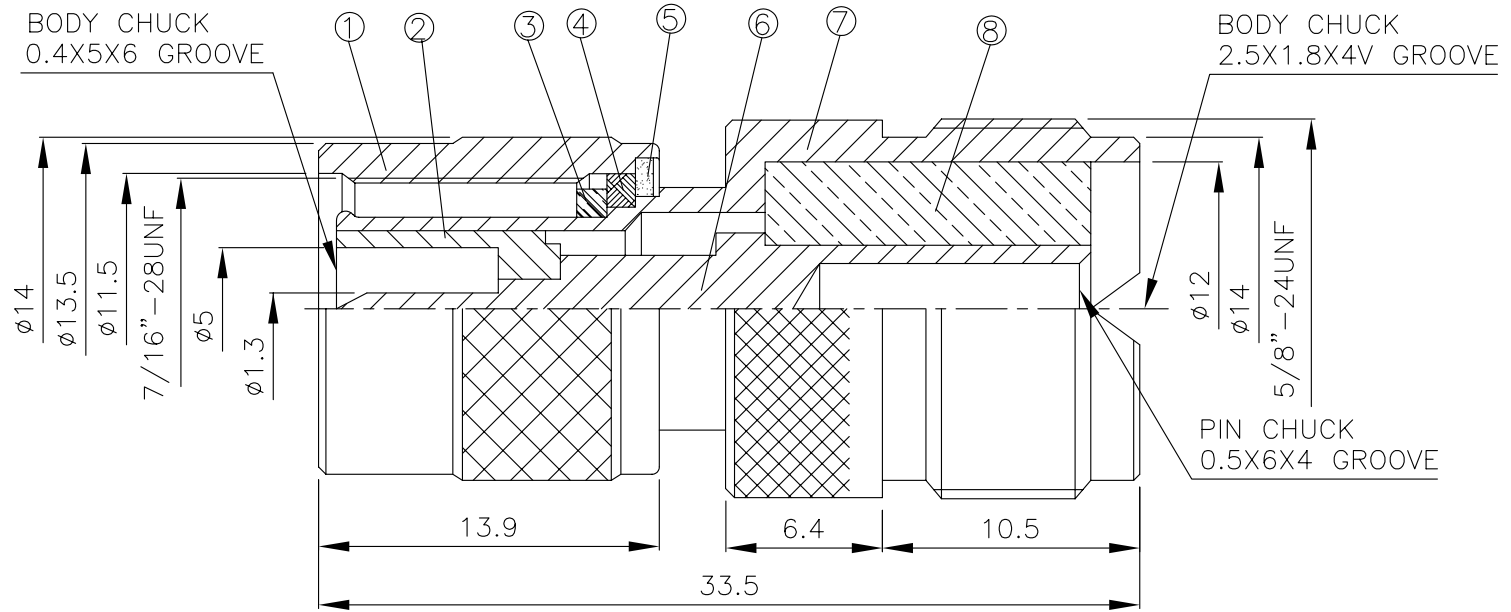
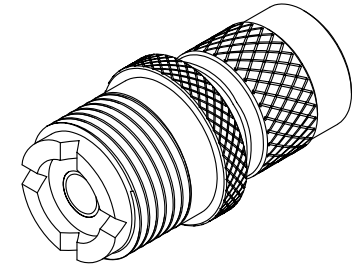


NO	DESCRIPTION	MATERIAL	Q'TY	FINISH
1	SHELL	BRASS	1	NICKEL
2	INSULATION	DELRIN	1	DELRIN
3	GASKET	RUBBER	1	RUBBER
4	WASHER	BRASS	1	NICKEL
5	SLEEVE	BRASS	1	NICKEL
6	PIN	BRASS	1	NICKEL
7	BODY	BRASS	1	NICKEL
8	INSULATION	DELRIN	1	DELRIN



HUS-TSAN GROUP CO., LTD.
P.O. BOX 40-76. TAINAN. TAIWAN, R.O.C.
TNC MALE-UHF FEMALE
TNC-17-DGN
TNC 17 DGN

DRAWN	MARY	DATE	96.07.13
CHECKED	蘇志欣	DATE	
Q.A.	蘇姿潔	DATE	
APPROVAL	徐燦霖	DATE	
REVISION		DATE	

DIMENSIONS ARE IN MILLIMETERS
UNLESS OTHERWISE SPECIFIED TOLERANCE
0.5-5=±0.2 120-315=±1
5-30=±0.4 315-1000=±1.6
30-120=±0.6 1000-2000=±2.4
SCALE 4:1 SIZE A

REVISION	
DESCRIPTION	ENGINEER