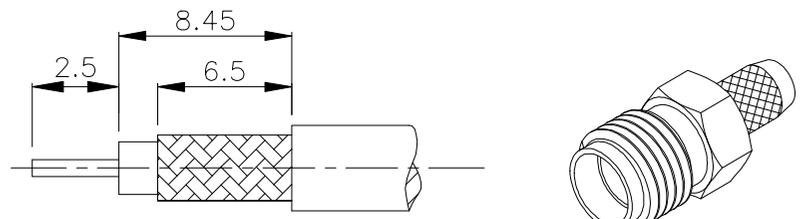
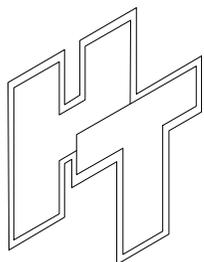
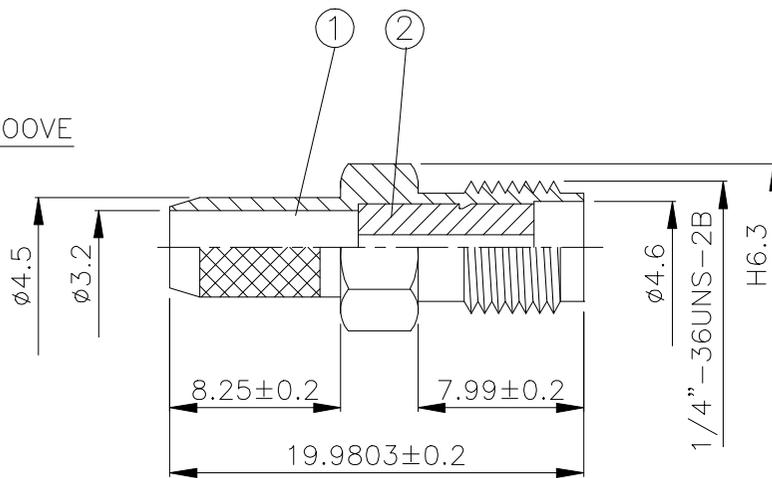
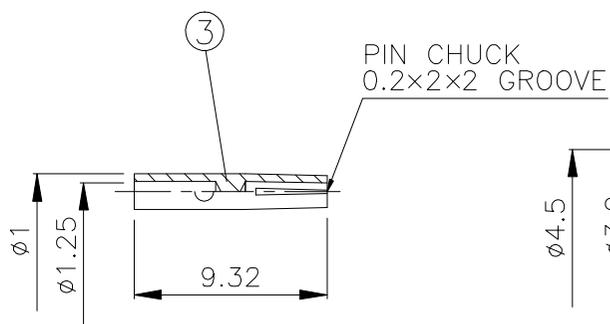
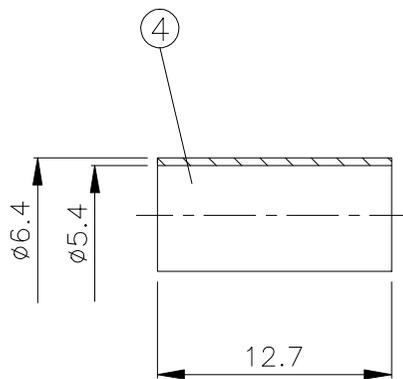


NO	DESCRIPTION	MATERIAL	Q'TY	FINISH	REMARK
1	BODY	BRASS	1	GOLD	B-SMA0061-N
2	INSULATION	TEFLON	1	TEFLON	I-0547T
3	PIN	Be Cu	1	GOLD	P-SMA0038-G
4	RING	BRASS	1	GOLD	R-0007-N



(Recommended Stripping Dimension)



HUS-TSAN GROUP CO., LTD.

P.O. BOX 40-76.TAINAN TAIWAN,R.O.C.

TITLE SMA FEMALE CRIMP
FOR RG58U,RG141A/U

PART NO. SMA-04F-TGN

DRAWING NO. SMA 04F TGN

DRAWN MARY DATE 90.10.23

CHECKED 蘇姿潔 DATE

Q.A. 馮健華 DATE

APPROVAL 徐燦霖 DATE

REVISION DATE

DIMENSIONS ARE IN MILLMETERS

UNLESS OTHERWISE SPECIFIED
TOLERANCES

0.5-5= ± 0.2 120-315= ± 1

5-30= ± 0.4 315-1000= ± 1.6

30-120= ± 0.6 1000-2000= ± 2.4

SCALE 4:1 SIZE A

REVISION

DESCRIPTION ENGINEER

D

C

B

A

D

C

B

A

4

3

2

1