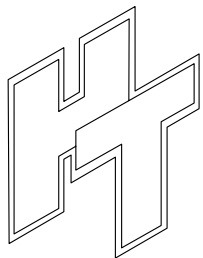
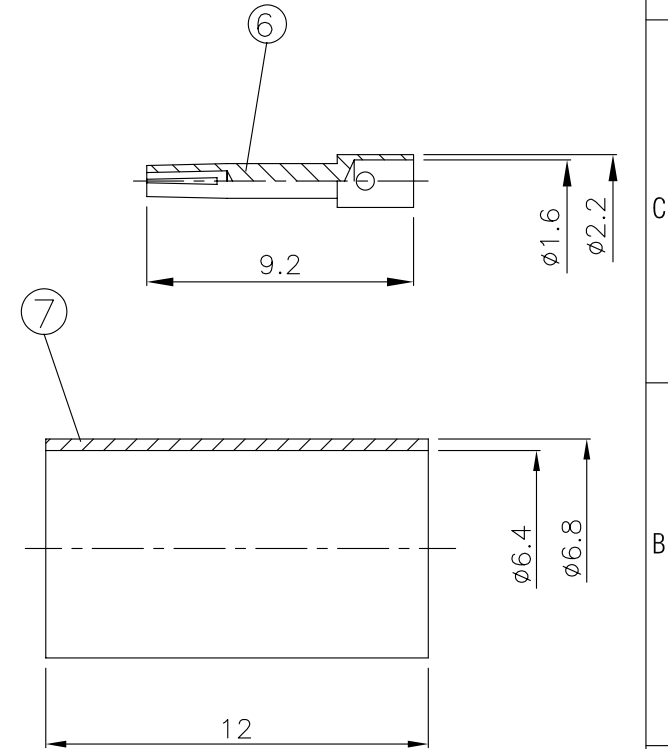
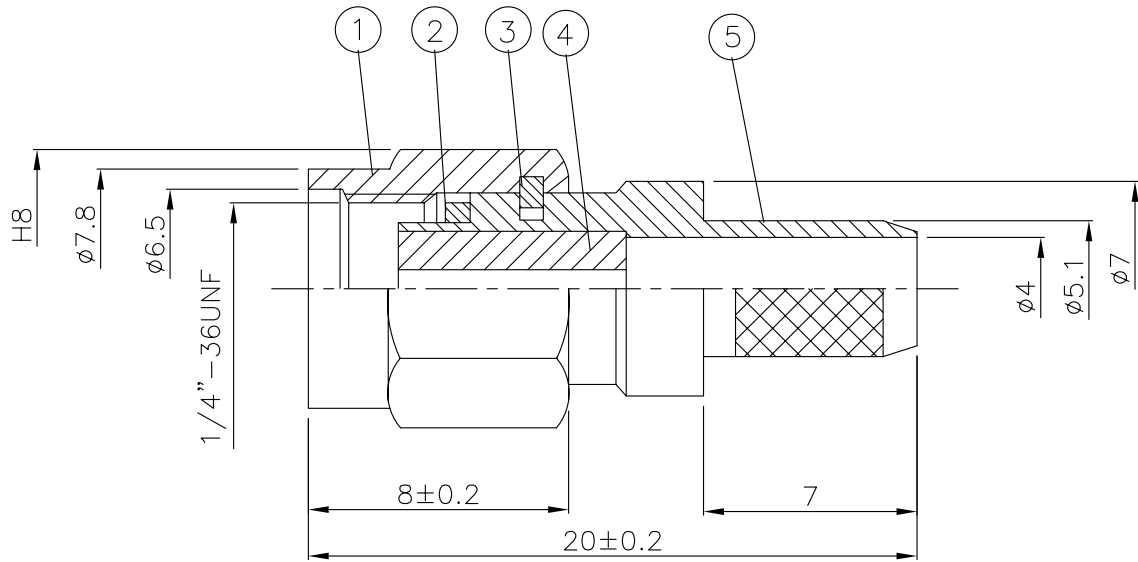
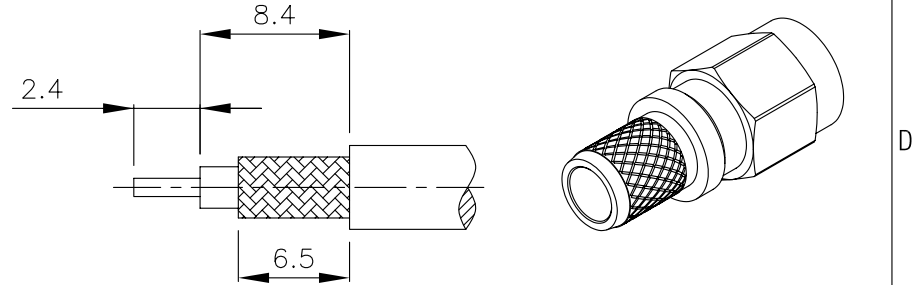


NO	DESCRIPTION	MATERIAL	Q'TY	FINISH	REMARK
1	SHELL	BRASS	1	NICKEL	B-SMA0043-N
2	GASKET	SI RUBBER	1	RUBBER	RU-0008
3	WASHER	BRASS	1	NICKEL	W-0012
4	INSULATION	TEFLON	1	TEFLON	I-0115T
5	BODY	BRASS	1	NICKEL	B-SMA0776-N
6	PIN	BRASS	1	GOLD	P-SMA0590-G
7	RING	BRASS	1	NICKEL	R-0064-N



HUS-TSAN GROUP CO., LTD

P.O. BOX 40-76.TAINAN TAIWAN,R.O.C.

TITLE
SMA MALE CRIMP REVERSE POLARITY
FOR LMR-240

PART NO. SMA-03R-TGN-RP

DRAWING NO. SMA-03R-TGN-RP

DRAWN MARY DATE 93.09.10

CHECKED 蘇姿潔 DATE 93.09.10

Q.A. 馮健華 DATE

APPROVAL 徐燦霖 DATE

REVISION DATE

DIMENSIONS ARE IN MILLIMETERS

UNLESS OTHERWISE SPECIFIED
TOLERANCES

0.5-5=±0.2 120-315=±1

5-30=±0.4 315-1000=±1.6

30-120=±0.6 1000-2000=±2.4

SCALE 4:1 SIZE A

REVISION

DESCRIPTION	ENGINEER

A