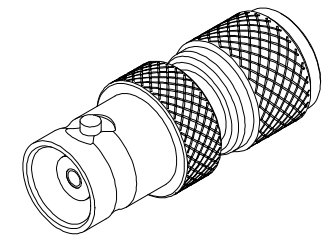
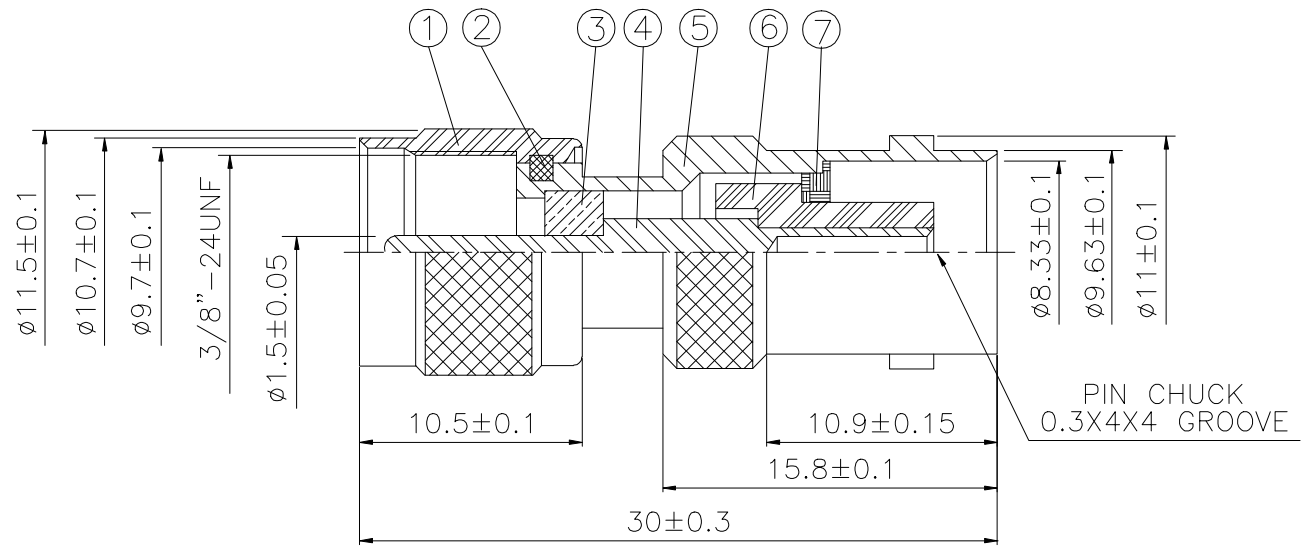


NO	DESCRIPTION	MATERIAL	Q'TY	FINISH
1	SHELL	BRASS	1	NICKEL
2	WASHER	BRASS	1	NICKEL
3	INSULATION	DELTRIN	1	DELTRIN
4	PIN	BRASS	1	GOLD
5	BODY	BRASS	1	NICKEL
6	INSULATION	DELTRIN	1	DELTRIN
7	WASHER	BRASS	1	NICKEL



D
C
B
A



	HUS-TSAN GROUP CO., LTD.		DRAWN	MARY	DATE	96.08.31	DIMENSIONS ARE IN MILLIMETERS		REVISION	
	P.O.BOX 40-76.TAINAN.TAIWAN,R.O.C.		CHECKED		DATE					
	TITLE MINI UHF MALE-BNC FEMALE		Q.A.		DATE		0.5-5=±0.2	120-315=±1		
	PART NO. MU-10-DGN		APPROVAL		DATE		5-30=±0.4	315-1000=±1.6		
	DRAWING NO. MU 10 DGN		REVISION		DATE		30-120=±0.6	1000-2000=±2.4		
						SCALE	4:1	SIZE	A	

4 3 2 1