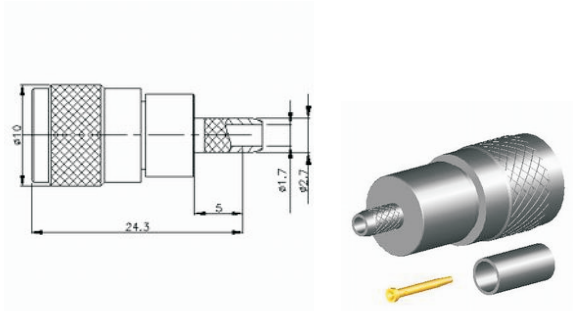
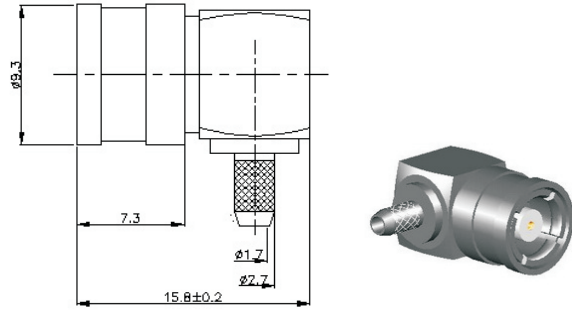


SMZ JACK CRIMP FOR CABLE TYPE

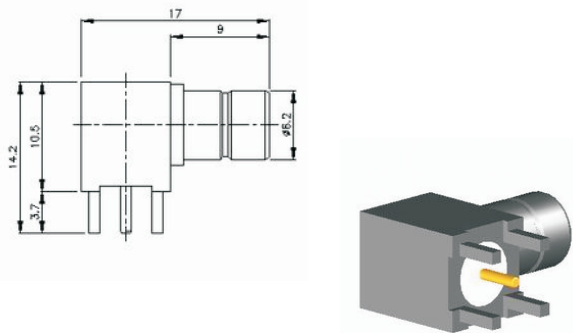


PART NUMBER:
SMZ-01N-TGG RG-179/U



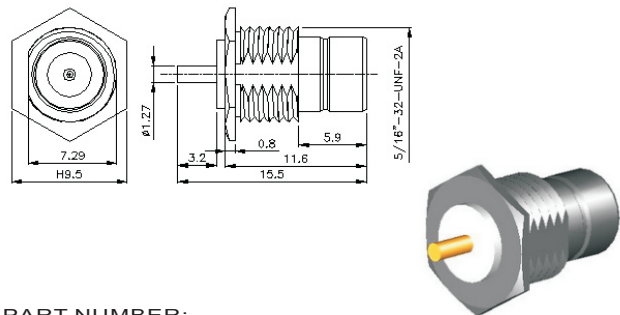
PART NUMBER:
SMZ-07N-TGN RG-179/U
SMZ-07N5-TGN RD-179/U

SMZ ANGLE PLUG FOR PCB MOUNT



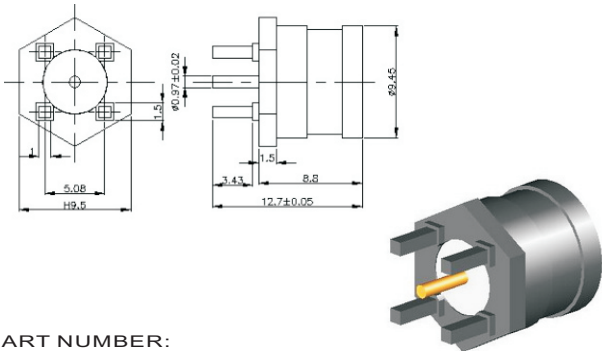
PART NUMBER:
SMZ-05-TGN

SMZ PLUG BULKHEAD RECEPTACLE



PART NUMBER:
SMZ-06-TGN

SMZ STRAIGHT JACK PCB MOUNT



PART NUMBER:
SMZ-05-TGN